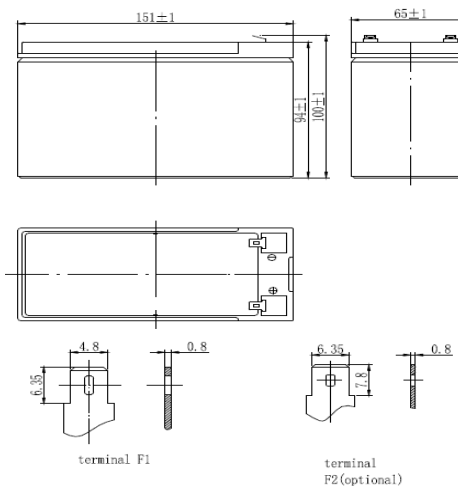


**Rated voltage:** 12 V    **Capacity:** 9Ah C<sub>10</sub> at 25°C to 1.80V per cell

- \* Designed service life of 10 years
- \* World-wide compatibility
- \* Easy maintenance with low operation cost
- \* Easy installing and parameters readings
- \* Wide operation temperature range
- \* Superior low current discharge performance
- \* Better safety performance and reliability
- \* Modular and installation design
- \* Environmental friendly

**Size: 151x65x94(100)mm**

**Weight: 2,6kg**



**Application:**

- Telecommunication
- UPS
- Solar and wind power system
- Electric power, nuclear power
- Marine

**Company Certificates**

- ISO 9001:2009
- ISO 14001:2005
- OHSAS 18001:2008



**Technical details**

<b>Max discharge current:</b>	135A (5sec)	<b>Self-discharge:</b>	less than 9% / 90 days @ 25°C
<b>Internal resistance (charged):</b>	18mΩ @ 25°C	<b>Max charge current:</b>	2,7A
<b>Temperature range</b>		<b>Charge voltage at 20°C</b>	Float: 2.27-2.30V Cycle: 2.40-2.45V
<b>Application temperature:</b>	-20°C ~ 60°C	<b>Terminal output:</b>	F2
<b>Storage:</b>	-20°C ~ 60°C	<b>Container</b>	ABS
<b>Charge:</b>	-10°C ~ 60°C		
<b>Temperature compens.factor:</b>	-20 mV/°C		

**Temperature effect on battery capacity:**    105 % @ 40°C 85 % @ 0°C; 60 % @ -20°C

**Discharge current (A/20°C, 68°F):**

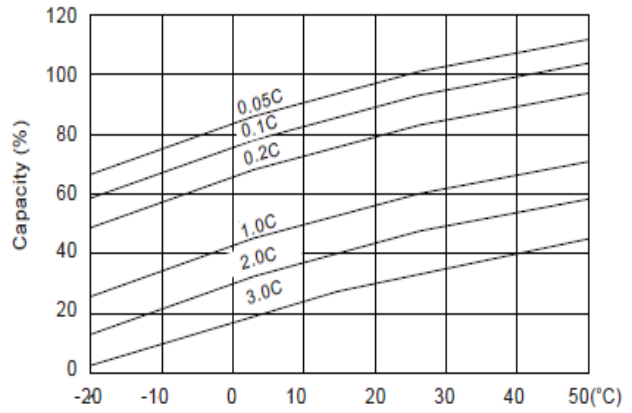
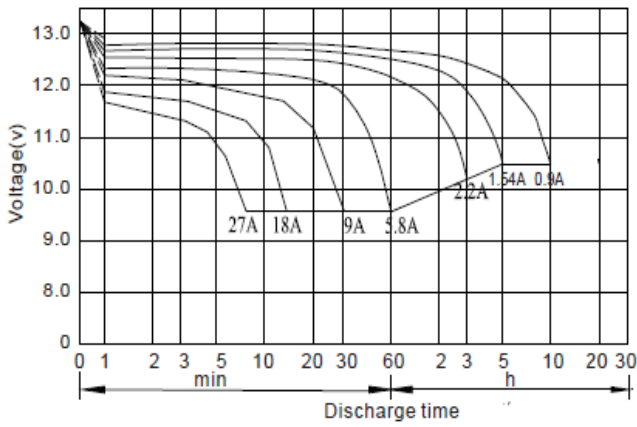
End Voltage	5min	10min	15min	30min	1h	3h	5h	10h	20h
1,60	38,8	24,4	17,2	10,00	5,86	2,16	1,43	0,95	0,47
1,65	36,6	23,5	16,6	9,74	5,74	2,12	1,40	0,94	0,47
1,70	35,1	22,6	16,0	9,45	5,62	2,08	1,38	0,93	0,46
1,75	33,6	21,7	15,4	9,15	5,50	2,04	1,35	0,92	0,46
1,80	32,0	20,8	14,8	8,86	5,38	2,00	1,33	0,90	0,45

**Discharge power (W/20°C, 68°F):**

End Voltage	5min	10min	15min	30min	45min	1h	2h	3h	5h
1,60	73,9	44,0	31,5	18,6	13,7	11,3	6,10	4,22	2,85
1,65	70,5	42,6	30,6	18,2	13,4	11,1	6,00	4,15	2,81
1,70	66,9	41,3	29,8	17,7	13,1	10,9	5,88	4,09	2,77
1,75	63,3	39,9	28,9	17,3	12,8	10,7	5,79	4,02	2,72
1,80	60,1	38,5	28,0	16,9	12,5	10,5	5,67	3,95	2,68

**Discharge curves**

**Temperature and capacity relation**



**Selfdischarge at different temperature**

**Constant voltage charge characteristic**

