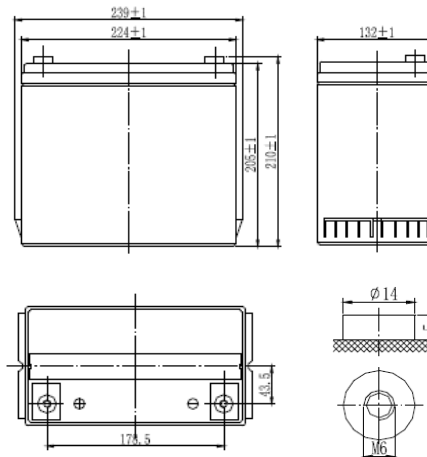


Rated voltage: 12 V **Capacity:** 55Ah C₁₀ at 25°C to 1.80V per cell

- * Designed service life of 10 years
- * World-wide compatibility
- * Easy maintenance with low operation cost
- * Easy installing and parameters readings
- * Wide operation temperature range
- * Superior low current discharge performance
- * Better safety performance and reliability
- * Modular and installation design
- * Environmental friendly

Size: 239x132x210mm

Weight: 17,3kg



Application:

Telecommunication
 UPS
 Solar and wind power system
 Electric power, nuclear power
 Marine

Company Certificates

ISO 9001:2009
 ISO 14001:2005
 OHSAS 18001:2008



Technical details

Max discharge current:	550A (5sec)	Self-discharge:	less than 9% / 90 days @ 25°C
Internal resistance (charged):	7,2mΩ @ 25°C	Max charge current:	16,5A
Temperature range		Charge voltage at 20°C	Float: 2.26-2.30V Cycle: 2.40-2.45V
Application temperature:	-20°C ~ 60°C	Terminal output:	M6
Storage:	-20°C ~ 60°C	Container	ABS
Charge:	-10°C ~ 50°C		
Temperature compens.factor:	30 mV/°C		

Temperature effect on battery capacity: 105 % @ 40°C; 85 % @ 0°C; 60 % @ -20°C

Discharge current (A/25°C, 68°F):

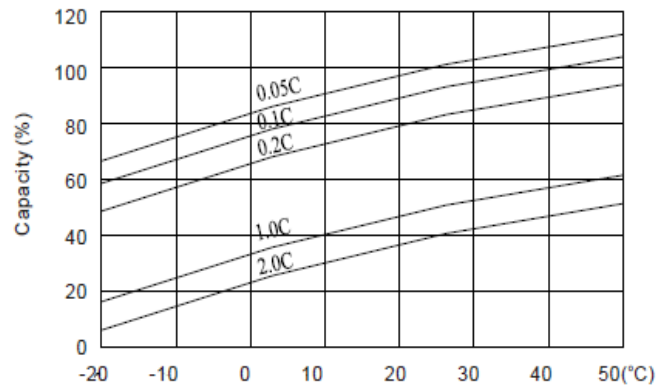
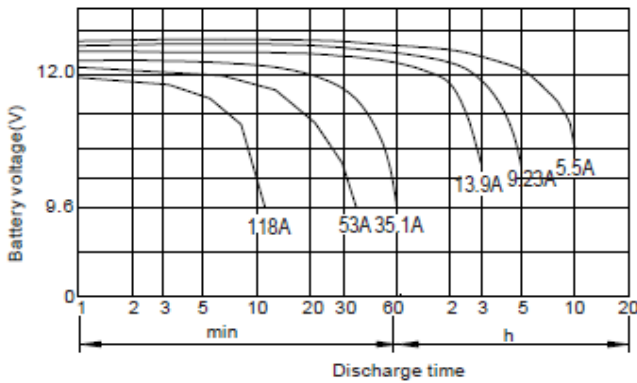
End Voltage	10min	15min	30min	1h	3h	5h	10h	20h
1,60	129	99,4	59,2	35,1	14,6	9,82	5,70	2,97
1,65	124	95,4	57,4	34,2	14,2	9,57	5,65	2,96
1,70	115	90,6	55,6	33,3	13,9	9,40	5,60	2,95
1,75	106	85,8	53,8	32,5	13,6	9,23	5,55	2,93
1,80	100	79,5	51,9	31,7	13,3	9,06	5,50	2,90

Discharge power (W/25°C, 68°F):

End Voltage	10min	15min	30min	45min	1h	2h	3h	5h
1,60	238	185	111,0	85,3	68,9	41,1	29,1	18,80
1,65	225	177	109,0	84,0	67,3	40,2	28,5	18,60
1,70	213	169	107,0	82,3	65,3	39,4	27,9	18,20
1,75	200	162	105,0	80,5	64,3	38,4	27,3	18,00
1,80	186	154	104,0	78,4	62,6	37,4	26,7	17,90

Discharge curves

Temperature and capacity relation



Selfdischarge at different temperature

Constant voltage charge characteristic

