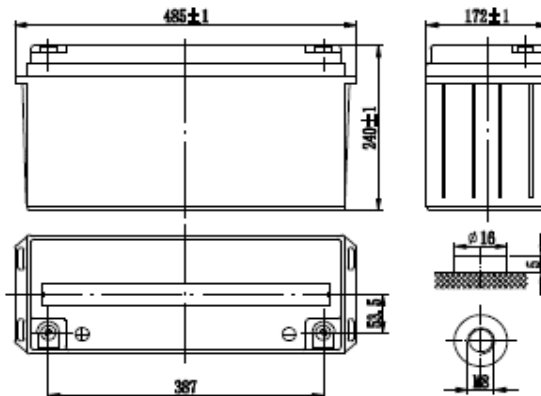


Rated voltage: 12 V **Capacity:** 150Ah C₁₀ at 25°C to 1.80V per cell

- * Designed service life of 10 years
- * World-wide compatibility
- * Easy maintenance with low operation cost
- * Easy installing and parameters readings
- * Wide operation temperature range
- * Superior low current discharge performance
- * Better safety performance and reliability
- * Modular and installation design
- * Environmental friendly

Size: 482x170x242mm

Weight: 47kg



Application:

Telecommunication
 UPS
 Solar and wind power system
 Electric power, nuclear power
 Marine

Company Certificates

ISO 9001:2009
 ISO 14001:2005
 OHSAS 18001:2008



Technical details

Max discharge current:	1000A (5sec)	Self-discharge:	less than 9% / 90 days @ 25°C
Internal resistance (charged):	3,7mΩ @ 25°C	Max charge current:	45A
Temperature range		Charge voltage at 20°C	Float: 2.26-2.30V Cycle: 2.40-2.45V
Application temperature:	-20°C ~ 60°C	Terminal output:	M8
Storage:	-20°C ~ 60°C	Container	ABS
Charge:	-10°C ~ 50°C		
Temperature compens.factor:	30 mV/°C		

Temperature effect on battery capacity: 105 % @ 40°C; 85 % @ 0°C; 60 % @ -20°C

Discharge current (A/25°C, 68°F):

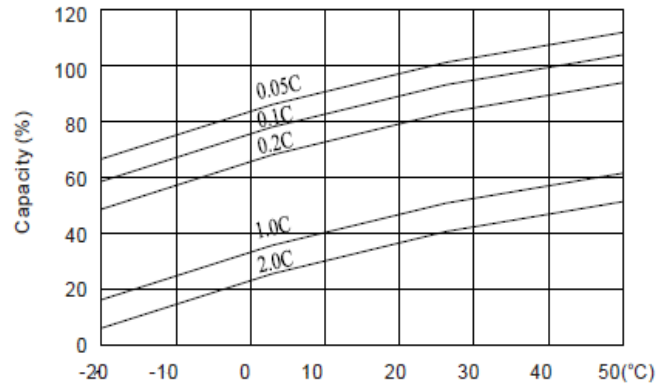
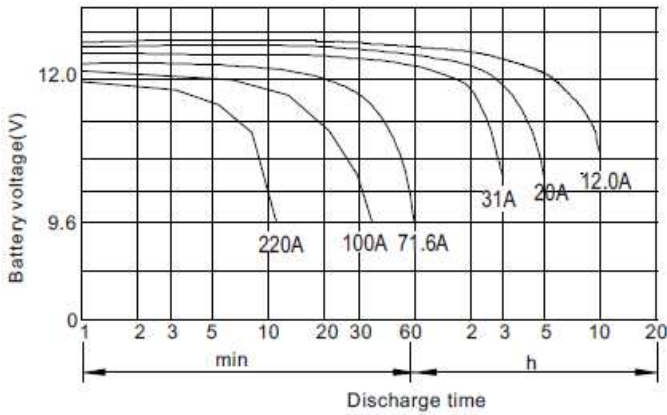
End Voltage	15min	20min	30min	45min	1h	3h	5h	10h	24h
1,60	288	228	169	123	102	44,5	28,8	15,5	7,10
1,65	267	214	162	120	99,0	44,2	28,2	15,4	7,05
1,70	259	210	160	118	96,3	43,8	27,6	15,2	6,96
1,75	240	198	156	114	93,4	43,4	27,0	15,1	6,91
1,80	222	186	150	110	90,5	41,4	26,5	15,0	6,87

Discharge power (W/25°C, 68°F):

End Voltage	15min	20min	30min	45min	1h	3h	5h	10h	24h
1,60	542	438	333	243	192	84,5	55,4	30,5	13,8
1,65	504	404	304	235	186	83,9	54,1	29,4	13,5
1,70	469	385	300	229	181	83,3	53,2	28,9	13,2
1,75	444	369	294	224	177	82,1	52,1	28,5	13,0
1,80	425	357	289	221	175	80,8	51,0	27,9	12,8

Discharge curves

Temperature and capacity relation



Selfdischarge at different temperature

Constant voltage charge characteristic

